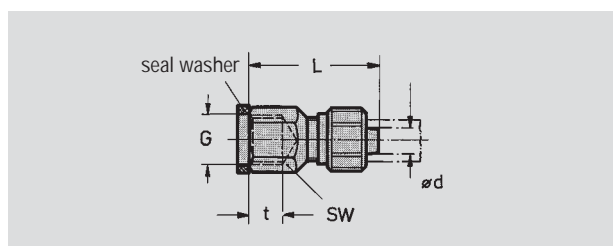


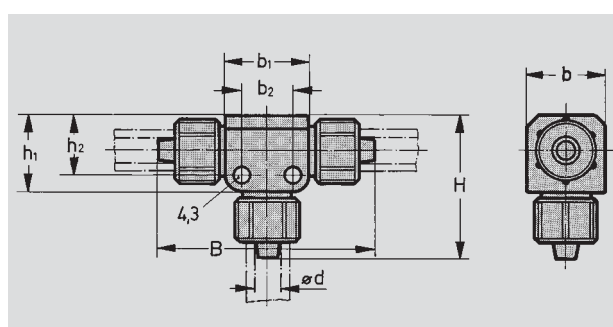
## Quick connectors

Model no.	L	G	sw	t	for plastic hose internal Ø d
ACK-1/4-PK6	33	G1/4	17	~12	6
ACK-3/8-PK9	38	G3/8	19	~18	9



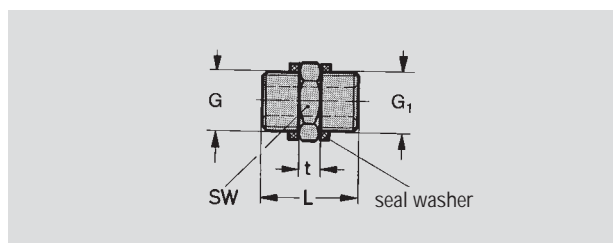
## T-fitting (plastic)

Model no.	B	b	b <sub>1</sub>	b <sub>2</sub>	H	h <sub>1</sub>	h <sub>2</sub>	for plastic hose internal Ø d
FCK-3-PK6	52	18	20	12	34	18	14	6
FCK-3-PK9	64	22	21	13	46	22	22	9



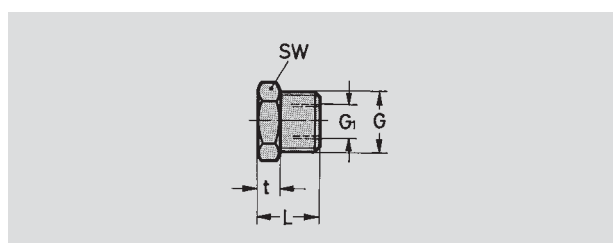
## Twin nipple

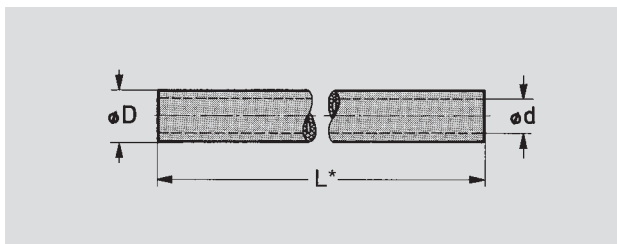
Model no.	L	G	G <sub>1</sub>	t	sw
E-1/4-1/4	23	G1/4	G1/4	5	17



## Reducing nipple

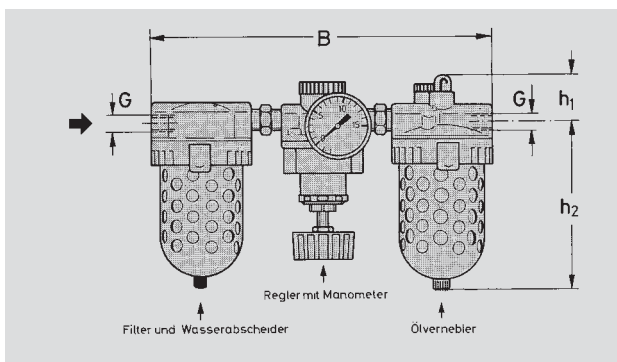
Model no.	L	G	G <sub>1</sub>	t	sw
D-1/8I-1/4A	11	G 1/4	G 1/8	4	17
D-1/4I-3/8A	15	G 3/8	G 1/4	4	19





Model no.	Ød	ØD	L*	for fittings with connections
PK-3	3	4,5	*Specify required length in [m] when ordering	G1/8, M5
PK-6	6	8,5		G1/8, G1/4, G3/8
PL-9	9	11,5		G1/4, G3/8

Maintenance unit



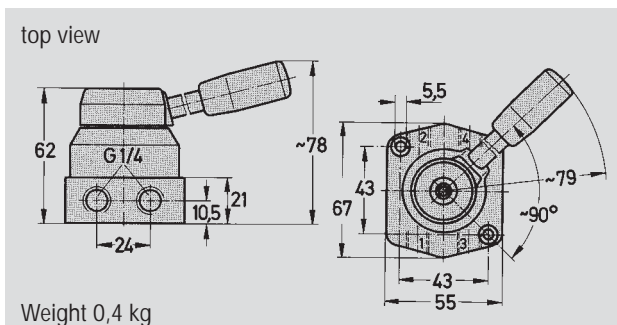
Model no.	B	h <sub>1</sub>	h <sub>2</sub>	G	rate of flow [Nm <sup>3</sup> /h]	Weight [kg]
C05-C2-000	145	33	83	G1/4	40	0,67
C16-C3-000	228	42	145	G3/8	75	2,20

Standard equipment: wall mounting bracket

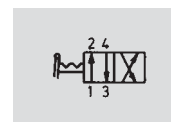
Important:

The specified rate of flow are based on an initial pressure of 6 bar and 0,5 bar pressure drop. Adjustment range of the pressure regulator: 0,35 – 8,5 bar.

4/2-way manual control valve

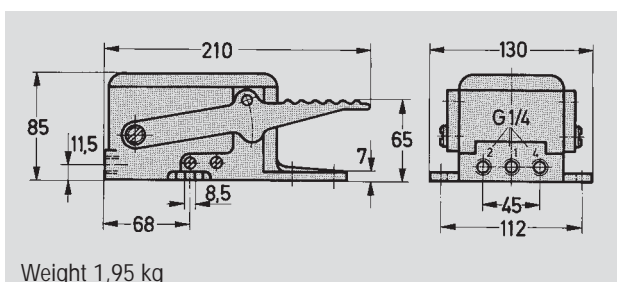


connection G 1/4  
Model no. 800414

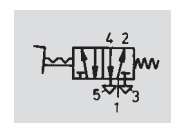


symbol

5/2-way foot control valve



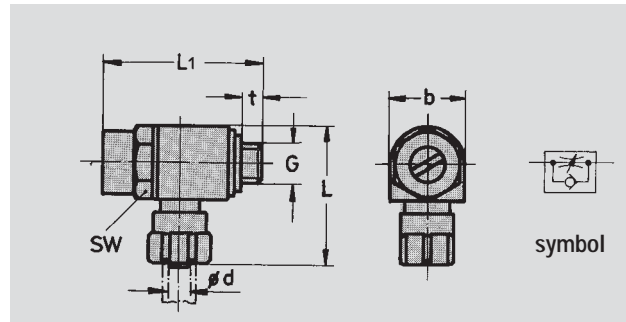
connection G 1/4 with locking notch  
Model no. FP-5-1/4-B



symbol

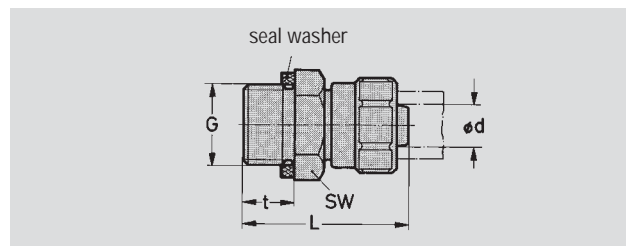
## One-way flow control valve with swivel connection

Model no.	b	G	L	L <sub>1</sub>	SW	t	for plastic hose internal Ø d
GRLA-1/8-PK6	16	G1/8	30,3	36	14	5,3	6
GRLA-1/4-PK6	20	G1/4	34,4	45,5	17	8,3	6



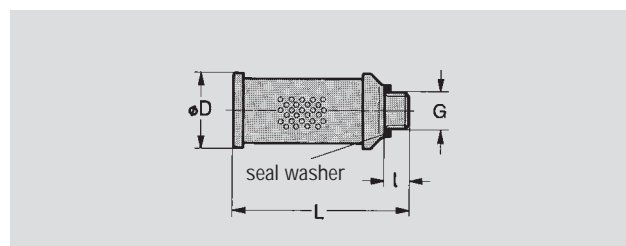
## Quick connectors

Model no.	L	G	sw	t	for plastic hose internal Ø d
CK-M5-PK3	18	M5	9	5	3
CK-1/8-PK3	21,5	G1/8	13	6,5	3
CK-1/8-PK6	25	G1/8	13	7	6
CK-1/4-PK6	27	G1/4	17	9	6
CK-1/4-PK9	30	G1/4	17	9	9
CK-3/8-PK6	29	G3/8	19	10	6
CK-3/8-PK9	32	G3/8	19	10	9



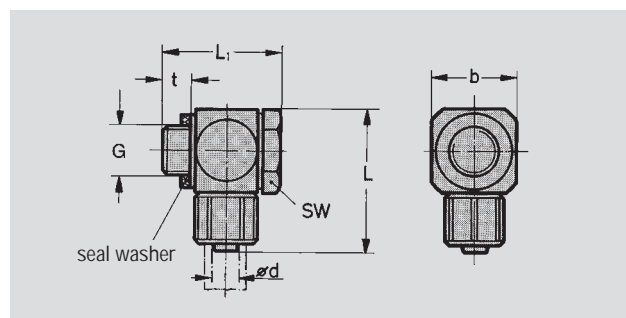
## Sound dampener

Model no.	ØD	l	L	G
U-1/4	19	10	58	G1/4



## L-quick connectors, swiveling

Model no.	b	G	L	L <sub>1</sub>	SW	t	for plastic hose internal Ø d
LCK-1/4-PK6	19	G1/4	34	28,5	17	8	6
LCK-3/8-PK9	25	G3/8	42	36,5	22	12	9



**NEW**

## Model SME-8F-DE

### Technical datas:

Short circuit strenght	No
Measuring principle	Reed magnetic
Polarity protected	No
Switch-off time	0.03 ms
Switch-on time	< = 0.5 ms
Operating voltage AC / DC	10 – 30 V
Max. output current	500 mA
Max. switching output voltage AC / DC	30 V
Max. contact rating DC	10 W
Switch output	with contact, bipolar
Protection class	IP65 / IP67
Ambient temperature	-5 – 60 °C / -20 – 60 °C
Reproducibility of swithing value	+/- 0.1 mm
Electrical connection	Cable / 3-core
Cable length	2.50m
Materials information, housing	PA
Materials information, cable sheaths	PUR

### Proximity sensor for T-slot

**NEW**

## Model SME-8F-DE-S

### Technical datas:

Short circuit strenght	No
Measuring principle	Reed magnetic
Polarity protected	No
Switch-off time	0.03 ms
Switch-on time	< = 0.5 ms
Operating voltage AC / DC	10 – 30 V
Max. output current	500 mA
Max. switching output voltage AC / DC	30 V
Max. contact rating DC	10 W
Switch output	with contact, bipolar
Protection class	IP65 / IP67
Ambient temperature	-5 – 60 °C / -20 – 60 °C
Reproducibility of switching value	+/- 0.1 mm
Electrical connection	M8x1, Cable with plug, 3-pin
Cable length	0.3 m
Materials information, housing	PA
Materials information, cable sheaths	PUR

### Proximity sensor for T-slot



## Sensors for pneumatic clamping elements



## Sensors

Model no.	SMEO-1 -LED	Model no.	BIM-IKT-AP/ BIM-IKE-AP
	(1 piece) with LED without fastening set (SMB-1, SMB-2)		(1 piece) with fastening set
connection diagram		connection diagram	
medium	magnetic field and electrical current	operating voltage	10...30 V VDC
design	electrical signal generator for contactless position control by means of a magnetic field	permissible residual ripple $V_{pp}$ , no load current	$\leq 10\%$ $\leq 2,0\text{ mA}$
fastening	with modular fastening system	output	Normally open contact
connection	3 core cable 2,5 m	connection	3 core cable 2 m
max. switching capacity	27 W	continuous load current	$\leq 200\text{ mA}$
max. switching current	1,0A	voltage drop [at $I_{cont}$ ]	$\leq 2,3\text{ V}$
max. turn-on voltage	12-27 V constant voltage, alternating voltage	overload trip point	$\leq 220\text{ mA}$
current flow resistance	$\Omega 90m$	time delay before availability	$\leq 5\text{ ms}$
repeatable switching accuracy	$\pm 0,1\text{ mm}$	transient protection	2 kV, 1 ms, 1k $\Omega$
switching frequency	max. 500 Hz	switching frequency	1000 Hz
switching time	$\leq 0,5ms$	switching hysteresis	$\leq 1\text{ mm}$
degree of protection (DIN 40050)	IP 67	travel speed for sensing	$\leq 10\text{ m/s}$
temperature		temperature drift	$\leq 0,1\text{ mm}$
fixed cables	-20 up to + 70°C	repeat accuracy	$\leq 0,1\text{ mm}$
flexible cables	-5 up to + 70°C	material	housing: GD-Zn active surface: PA12-GF30
material	housing: GD-Zn polyamide, Reed-switch in epoxy	degree of protection (DIN 40050)	IP 67
cable:	PVC	permissible ambient temperature	-25...+70°C
weight	0,13 kg	cable/clamping capability	LiYY, 3 x 0,25 mm <sup>2</sup>
		switching status display	LED, rot
		weight	0,13 kg