

## Product group – plier clamps

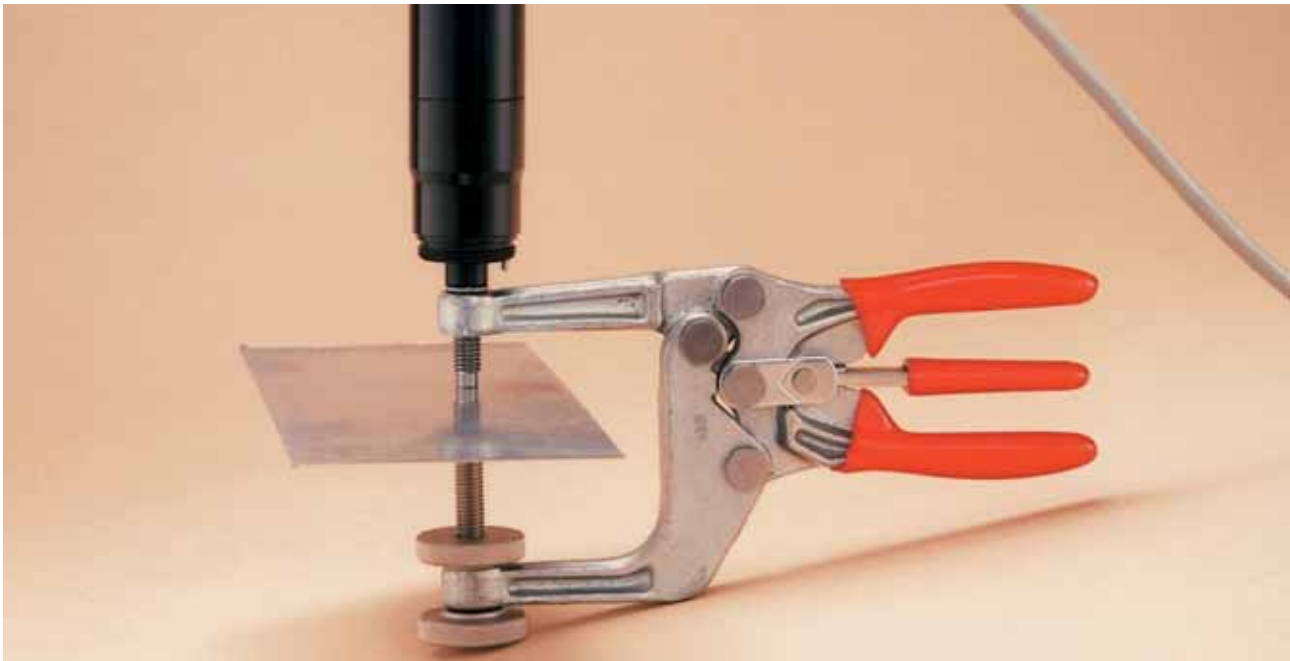
### Application areas

In all sectors of industry and manufacture. Due to the diversity of the models, DE-STA-CO plier clamps are used wherever stationary clamping and fixing of workpieces is not possible. DE-STA-CO plier clamps are used specifically in the aeronautical and aerospace industry. Opening with the patented quick release lever makes it very easy to operate these plier clamps.

### The essential product features

- Made of drop-forged steel
- Parts specially galvanised
- In some cases with patented quick release lever
- Oil-resistant, ergonomically shaped DE-STA-CO plastic handle

Model 453 during materials testing



holding force max. [N]	Length [mm]	Model no.	Category	Page
900	115,5	424	Standard	7.5
900	115,5	424-2	Standard	7.6
1.000	410	21132	NEW! STA GRIP	7.11
1.500	152	441	Standard	7.5
1.500	152	441-2	Standard	7.6
2.200	141	425	NEW! Quick release	7.3
2.200	141	435	NEW! Quick release	7.3
2.500	260	21007	NEW! STA GRIP	7.10
2.500	280	21013	NEW! STA GRIP	7.11
2.500	280	21014	NEW! STA GRIP	7.10
2.500	260	21107	NEW! STA GRIP	7.10
2.500	280	21113	NEW! STA GRIP	7.11
2.500	280	21114	NEW! STA GRIP	7.10
3.000	260	21030	NEW! STA GRIP	7.12
3.200	214	462	Quick release	7.5
3.200	215	463	Quick release	7.7
3.800	260	491	Quick release	7.5
4.500	216	453	Quick release	7.7
4.500	230	486	Quick release	7.6
5.400	157	480	Modular	7.8
5.400*	236,5	482	Quick release	7.5
5.400	230	484	Quick release	7.8
8.900	210	445	NEW! Quick release	7.4
8.900	210	470	NEW! Quick release	7.4

\*Depends on the clamping arm length

Product group – plier clamps

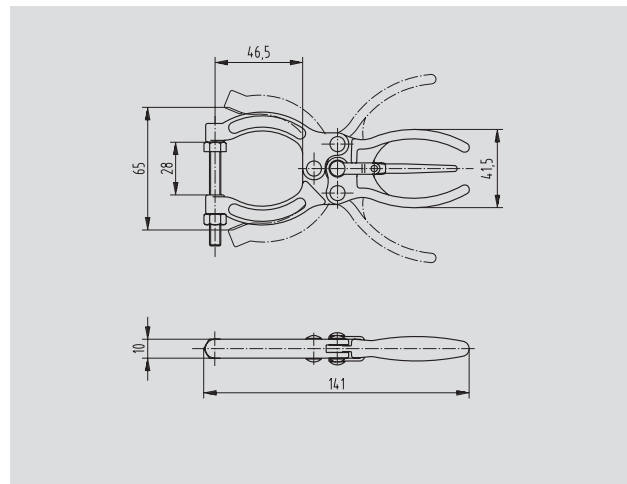


Application areas

This new high strength squeeze action clamp is ideal for all rugged clamping applications. Clamp strength comes from the SAE 1045 steel that is used. The two-way trigger release, which is standard, allows fast unclamping.

Model 425

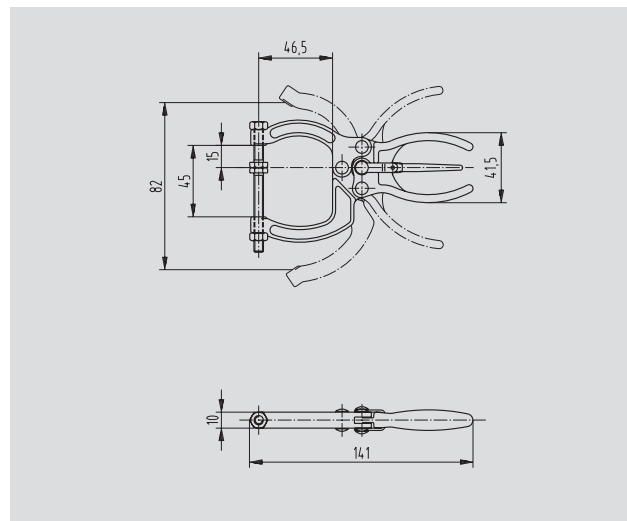
Model no.	[N]	[kg]	Standard equipment
425	2.200	0,18	205203-M (M6)



Model 435



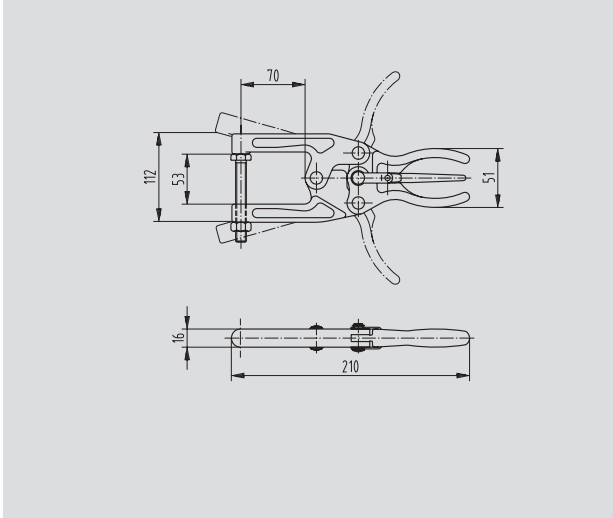
Model no.	[N]	[kg]	Standard equipment
435	2.200	0,23	2 x 205203-M (M6)






**NEW**

Product group – plier clamps

**Model 445**

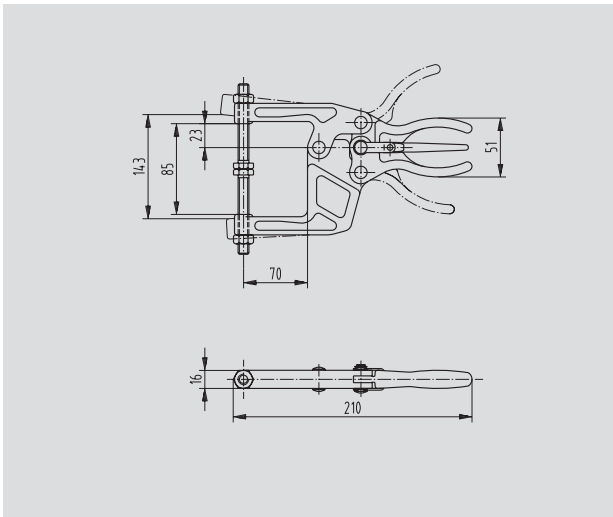





Model no.	 [N]	 [kg]	 Standard equipment
445	8.900	0,73	210203-M (M10)



**NEW**




**Model 470**

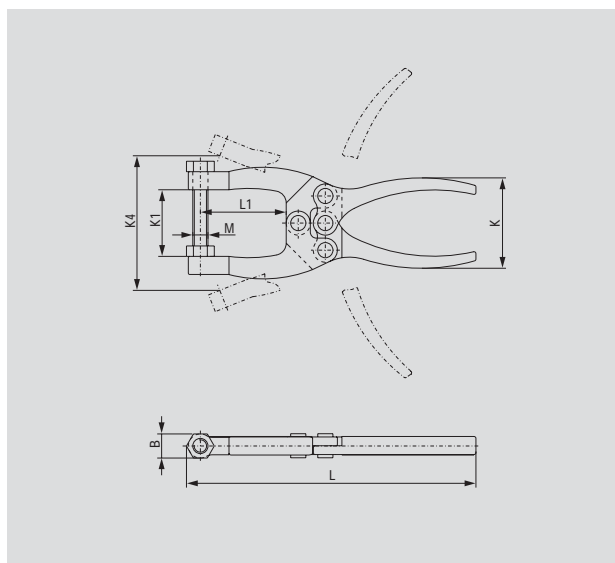


Model no.	 [N]	 [kg]	 Standard equipment
470	8.900	0,86	210203-M (M10)






## Models 424, 441

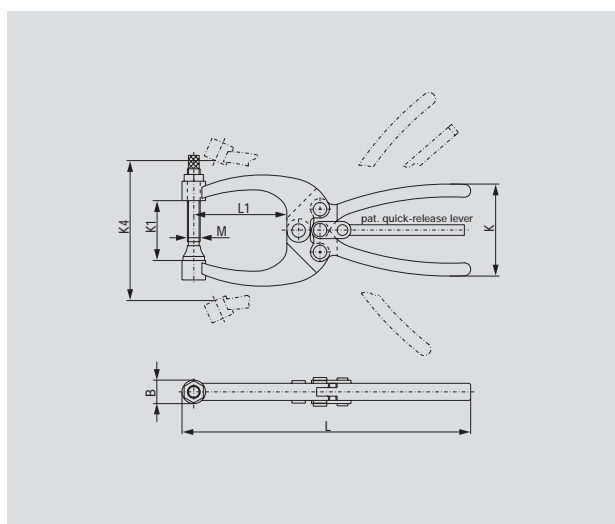
Model no.	 [N]	 [kg]	 Standard equipment
424	900	0,2	424208-M
441	1.500	0,25	441203-M



Model no.	B	K	K1	K4	L	L1	M												
424	13	46	26	54	116	28	6												
441	13	48	32	70	153	45	8												

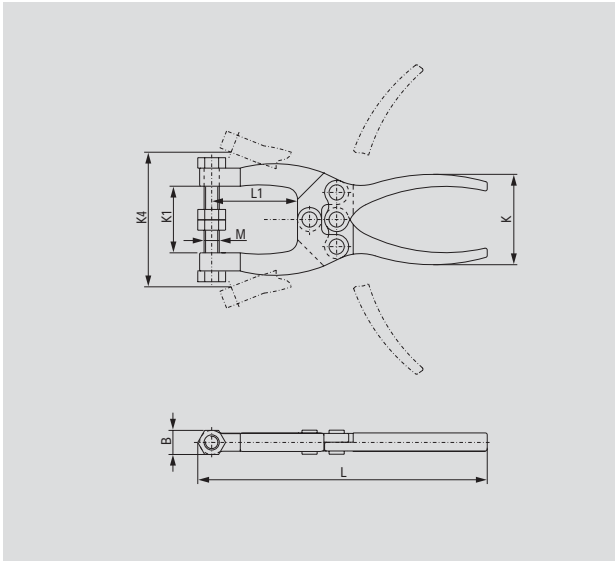
## Models 462, 482, 491

Model no.	 [N]	 [kg]	 Standard equipment
462	3.200	0,6	468206-M
482	5.400	0,9	468206-M
491	3.800	0,9	491203-M



Model no.	B	K	K1	K4	L	L1	M												
	18	68	45	103	215	69	10												
	18	75	42	102	232	64	10												
	18	74	23	100	255	89	10												

# Models 424-2, 441-2

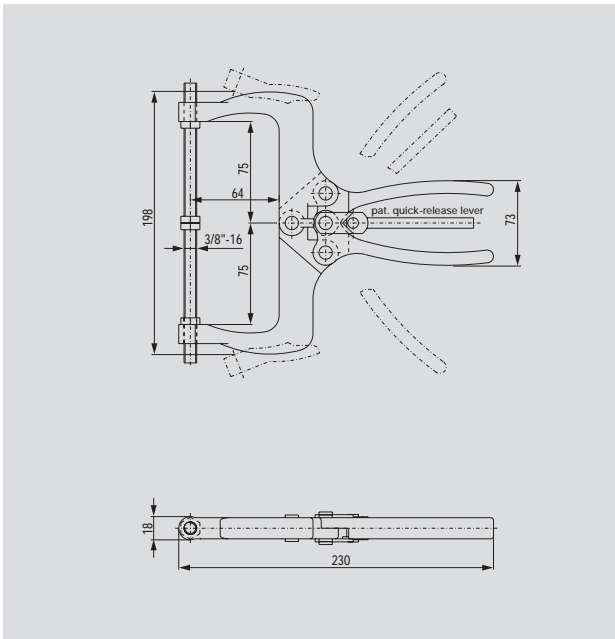


Model no.	[N]	[kg]	Standard equipment
424-2	900	0,2	2x 431208-M
441-2	1.500	0,25	2x 461208-M



Model no.	B	K	K1	K4	L	L1	M												
424-2	13	46	26	54	116	28	6												
441-2	13	48	32	70	153	45	8												




# Model 486

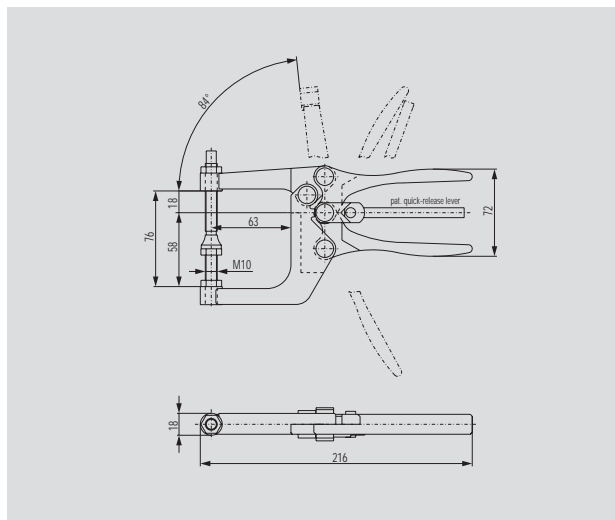


Model no.	[N]	[kg]	Standard equipment
486	4.500	1,15	2x 240203-M






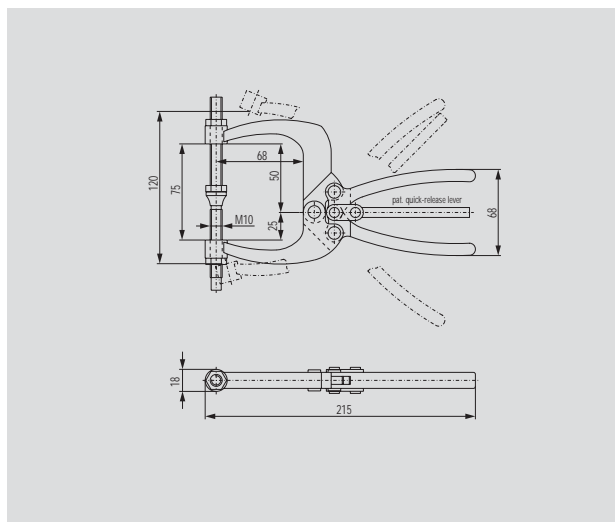
## Model 453

Model no.	 [N]	 [kg]	 Standard equipment
453	4.500	0,9	468206-M 491203-M

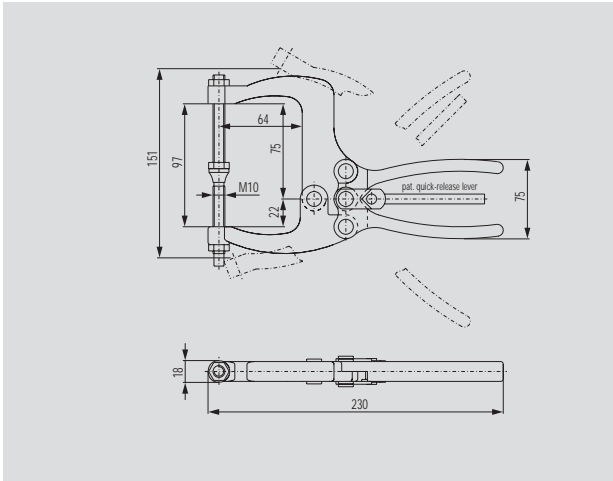





## Model 463

Model no.	 [N]	 [kg]	 Standard equipment
463	3.200	0,65	468206-M 210203-M



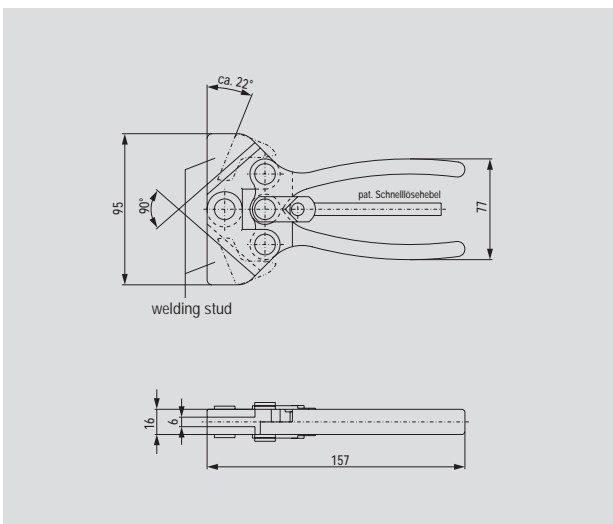
## Model 484





Model no.	 [N]	 [kg]	 Standard equipment
484	5.400	1,05	468206-M 210203-M



## Model 480



Model no.	 [N]	 [kg]	
480	*	0,7	
*Depends on the clamping arm length, see model 482			
Mat. 35S20			



## STA GRIP plier action clamps

**NEW**

### Introduction

DE-STA-CO, the world's first and leading manufacturer of manual toggle clamps, introduces an exciting new line of products. STA-Grip expands the world of set-up and cycle time reduction opportunities with Plier Grip capabilities. STA-Grip is like a third hand – designed and engineered for easy, single-hand operation. DE-STA-CO brings a total of five carbon steel models of plier clamps to our customers, plus an easy-to-use height adapter. Three models are also available in a non-magnetic stainless steel option. In addition to these standard models, modifications are available upon request.

### Application areas

STA-Grip clamps are ideal in a variety of workholding challenges – from the most delicate woodworking operation to the harshest welding environment.

### Operations

- Drilling
- Gluing
- Milling
- Welding
- Assembly
- Stabilising
- ... and much more

### Product features

- 5 models in steel
- 3 models in stainless steel
- 1 height adapter
- Holding forces from 1.000 – 3.000 N
- Moveable pressure pads that conform automatically to the shape of the workpiece
- Pressure pads upon request
- modifications are available upon request

Models 21013 and 21007 in a welding application



Model 21030 in a drilling machine



Model 21132 in a fixture for sheet metal working

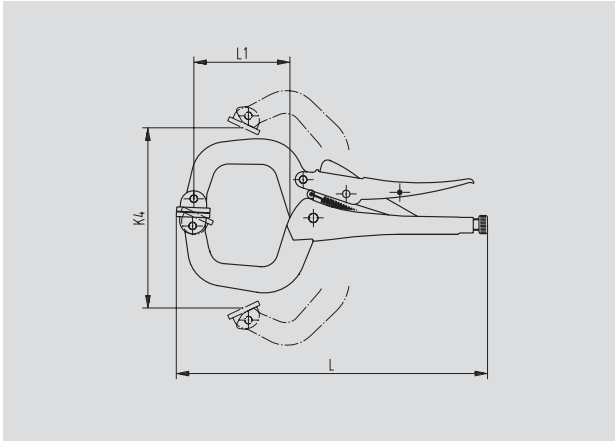


**NEW**

Models **21007, 21107**

**Plier clamp wide range**

- Wide arms that reach over or around most obstructions
- Moveable pressure pads for all shapes of workpiece



Model no.	[N]	[kg]	Material
21007	2.500	0,72	Zinc plated steel
21107	2.500	0,72	Stainless steel



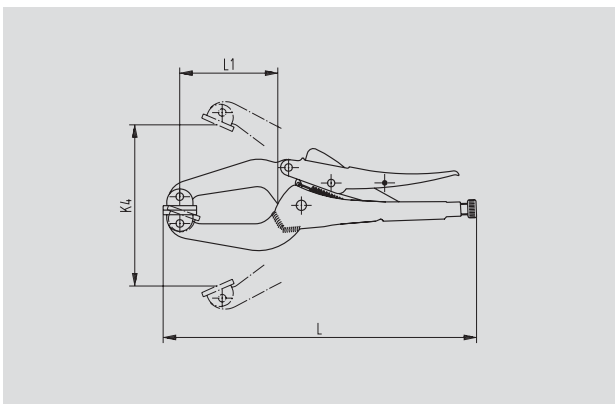
Model no.	K4	L	L1																
21007	80	280	80																
21107	80	280	80																

**NEW**

Models **21014, 21114**

**Plier clamp compact**

- Slim and compact design for easy reach into tight corners or small work areas
- Moveable pressure pads for all shapes of workpiece



Model no.	[N]	[kg]	Material
21014	2.500	0,65	Zinc plated steel
21114	2.500	0,65	Stainless steel



Model no.	K4	L	L1																
21014	80	280	85																
21114	80	280	85																

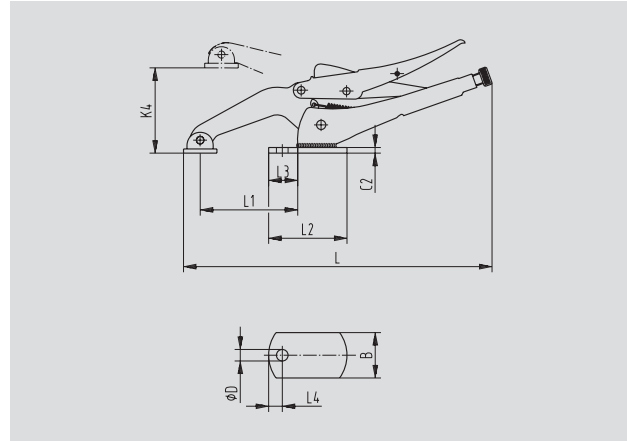
## Models 21013, 21113



### Slot clamp for work bench

- Slot clamp for easy mounting on the work bench per screw and T-slot
- Easy clamping of workpieces
- Compact design for applications with tight space

Model no.	↓ [N]	⚖️ [kg]	Material
21013	2.500	0,66	Zinc plated steel
21113	2.500	0,66	Stainless steel



Model no.	B	C2	K4	L	L1	L2	L3	L4	ØD
21013	40	5	75	272	86	69	26	12	10,3
21113	40	5	75	272	86	69	26	12	10,3

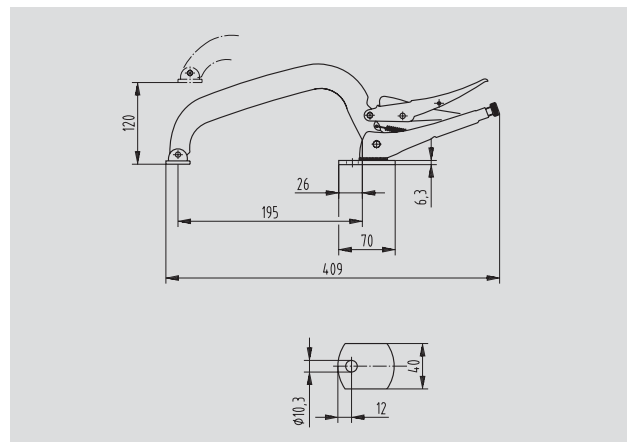
## Model 21132



### Slot clamp – extended reach

- Slot clamp for easy mounting on the work bench per screw and T-slot
- Extended reach

Model no.	↓ [N]	⚖️ [kg]	Material
21132	1.000	0,96	Zinc plated steel

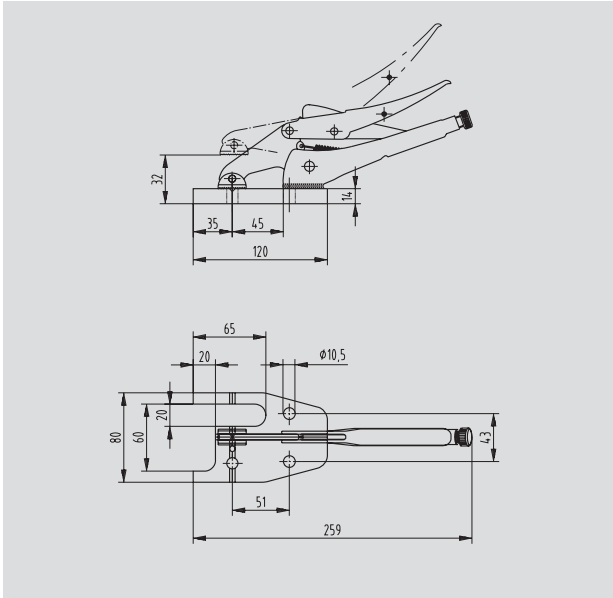


**NEW**

## Model 21030

### Plier action clamp V-foot style

- Especially designed for use with drills
- Cylindrical objects can be held securely in the V-groove
- Sheet metal components can be clamped in such a way that the workpiece is supported on both sides of the slot



Model no.	↓ [N]	⚖️ [kg]	Material
21030	3.000	1,23	Zinc plated steel

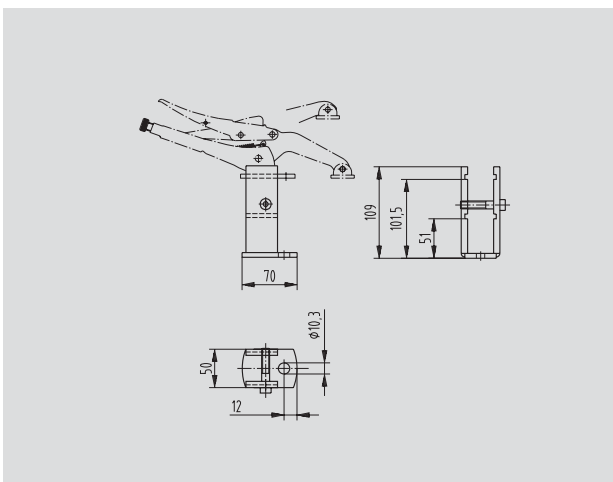


**NEW**

## Model 21130

### Height adapter

- Accessories for models 21013 and 21132
- For extra clamping height
- Quick and easy mounting by pushing into one of the grooves



Model no.	⚖️ [kg]	Material
21130	0,69	Zinc plated steel

